



VAXIS STORM 072

Instructions



VAXIS STORM 072

Dear customer:

First of all, we really appreciate you choose the 072, we are hope you will get so much convenient and best of experience from the Vaxis Storm 072.

All information has been strictly validated at the time of publication. But, as we have upgrade and improve our products in constantly. Therefore, the products you already have, there are certain differences in function or surface. I hope you can take the actual product as the criterion, and you are welcome to consult our service staff, to ensure more accurate.



Function description

The function selection and setting of 058 is determined by the front two button and the pulley selection
The two buttons can freely choose the shortcut function to set the corresponding function, there are four functions to choose the setting: :

- Focus — Focus, Red tick
- High light — Three brightness mode (high, middle, low)
- Sharpness — Sharpness selection (Two selection, high and low)
- Channel — frequency point and signal strength display

1. The Key functions selection setting

Setting the front key quick process:
Long as need to set a certain press 3S screen as shown below



Four function selection. Such as choose the "Focus", Sliding pulley to the "Focus" option.
Light press pulley determination, You can set this button as "Focus" function to select the shortcut key.

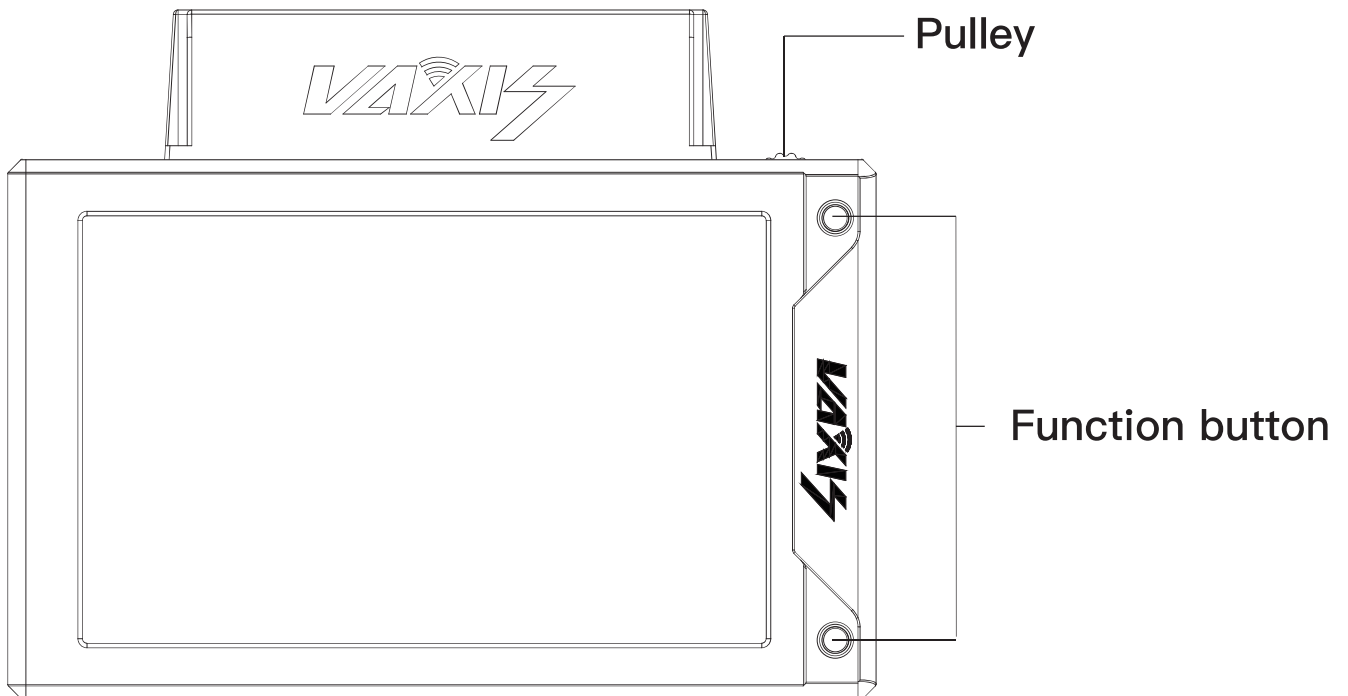
2. Pulley functional selection

- ① Channel — Frequency selection; Sliding pulley, choose the frequency point, light press to determine key to selection.
- ② Brightness — Screen brightness control; The brightness can be selected according to different environment



- ③ Contrast — Contrast control; Sliding pulley to adjustment
- ④ Saturation — saturation; control Sliding pulley to adjustment
- ⑤ Hue — color control; Sliding pulley to adjustment
- ⑥ Sharpness — sharpness control; Sliding pulley to adjustment
- ⑦ Noise Reduction — Noise Reduction select
- ⑧ Peaking Focus — Focusing, Red tick; Sliding pulley to turn on/off
- ⑨ System default — System default, Sliding to select, “YES” is for system default, “ON” is Keep the existing Settings

PS:When selecting the various functions, press the pulley confirm key is to skip to the next function.



072 Button Icon



Technical parameters

072 monitor	
Screen material	IPS screen
DPI	1920×1080
Brightest	1500 cd/m ²
Signal format	1080P (60 / 59.94 / 50)
	1080i (60 / 59.94 / 50)
	1080p (30 / 29.97 / 25 / 24 / 23.98)
	720p (60 / 59.94 / 50)
Radio frequency	5150~5850MHz
TX support	Vaxis Storm series TX
Transfer delay	≤1ms
Power Consumption	≤9W
Input	7~18V
Environment	Temperature: 0°C –+40°C
Size	192*120*25(mm)

Packing list

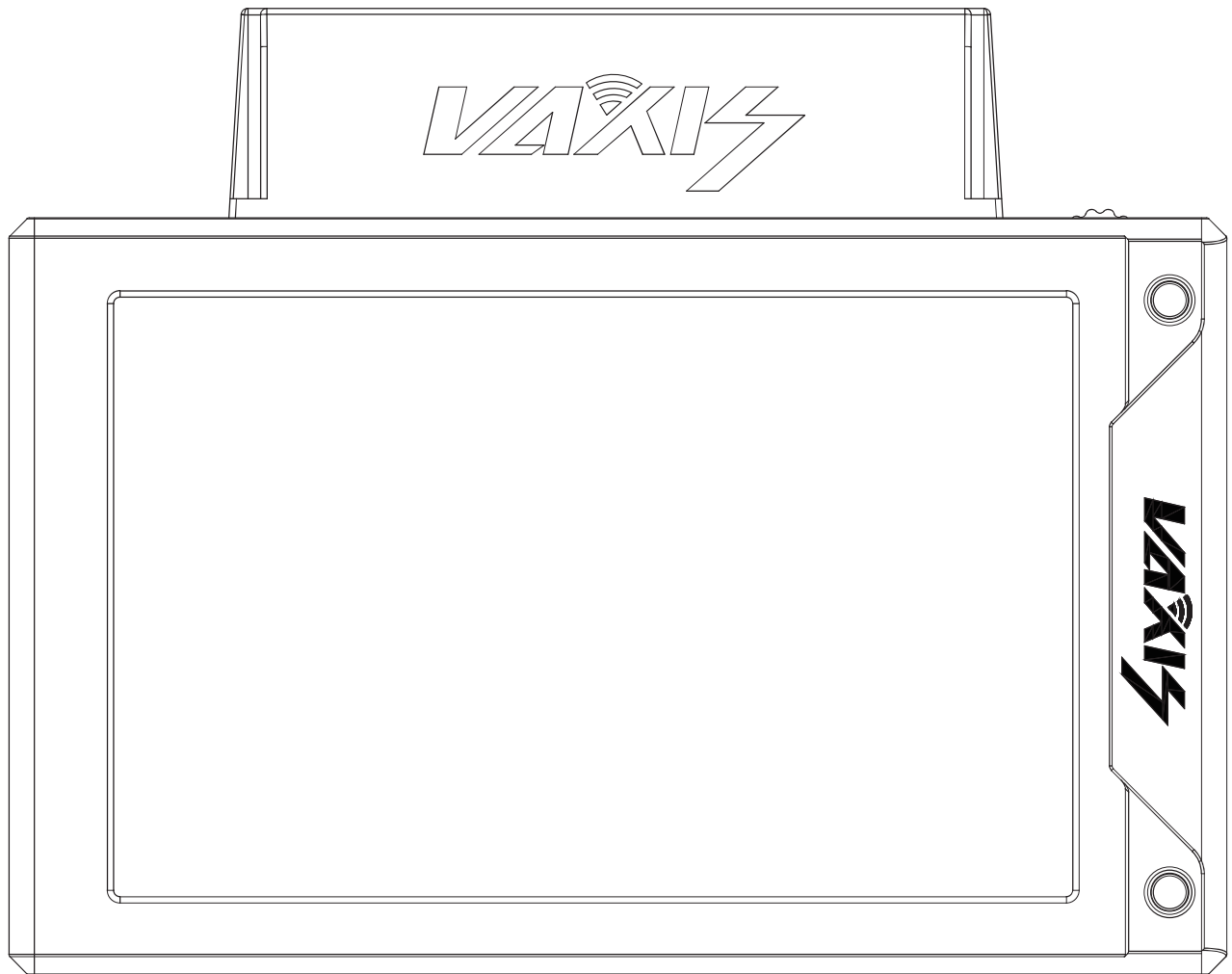
Standard parts

- 1.072 Body
- 2.B-type to 2-pin LEMO
- 3.Antenna*6
- 4.Wood Handle
- 5.Straps
- 6.Lens hood

Selection parts

- 1.ARRI WCU-4 joint Bracket
- 2.MOVcam MCS-1 joint Bracket
- 3.TILTA NUCLES-M joint Bracket

WWW.VAXISGLOBAL.COM



HN GMCINE TECHNOLOGY CO., LTD

