



VAXIS STORM 058

Instructions



VAXIS STORM 058

Dear Vaxis customer:

First of all, we appreciate your recent purchase of the Vaxis Storm 058. We hope this product will live up to your expectations, that it will make your job on the field easier and that you have a great experience using Vaxis products.

As we continue to improve our products through customer feedback, you may notice differences in functionality and product design that differ than the original product that appear on the website / marketing materials. We sincerely hope you will evaluate or judge the actual product itself and if you have any feedback or questions, please consult our service team as we welcome your feedback.

Functions Description

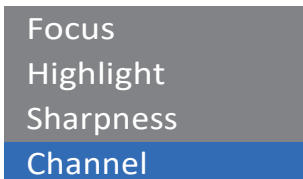
The functions selection and settings of the Vaxis 058 is determined by the front two buttons and the dial selection wheel. The two buttons can freely choose the shortcut function to set the corresponding function, there are four functions to choose from within the settings menu :

Focus	——Focus, Red line
High light	——Three brightness mode(high, middle, low)
Sharpness	——Sharpness selection (Two selections: high and low)
Channel	——frequency point and signal strength display

1. The Key Functions Menu Selection

Setting the front key quick process:

Users can manually change the key functions menu to best suited needs.



For example, choose the “Focus” selection, press on the pulley for 3 seconds to change the menu to "Focus". The “Focus” function will now be a shortcut on the key functions menu.

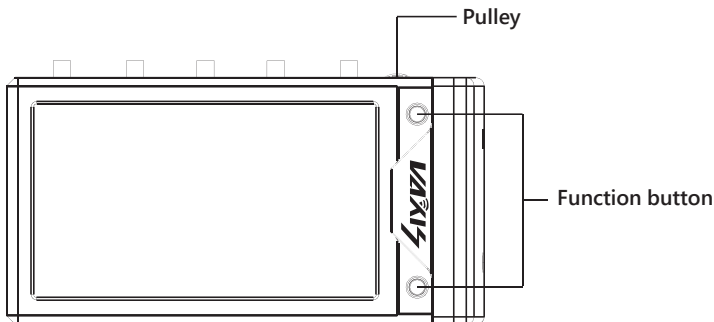
2. Pulley Function selection

- ① Channel ——Frequency selection; using the pulley, choose the frequency point, light press to determine key selection.
- ② Brightness ——Screen brightness control; the brightness can be adjusted to desired setting



- | | |
|-------------------|--|
| ③ Contrast | — Contrast control; use pulley to adjust |
| ④ Saturation | — saturation control; use pulley to adjust |
| ⑤ Hue | — Color control; Use pulley to adjust |
| ⑥ Sharpness | — Sharpness control; use pulley to adjust |
| ⑦ Noise Reduction | — Noise Reduction select |
| ⑧ Focus Peaking | — Redline Focus Assist; use pulley to turn on/off |
| ⑨ System Default | — System Default; use pulley to select, “YES” for system default, “ON” will keep existing Settings |

PS: When selecting the various functions, pressing the pulley confirm key will skip to the next function.



058 Button Icon



Technical Specifications

058 monitor	
Screen material	IPS screen
DPI	1920×1080
Brightness	1000 cd/m ²
Accepted Signal Formats	1080P (60 / 59.94 / 50)
	1080i (60 / 59.94 / 50)
	1080p (30 / 29.97 / 25 / 24 / 23.98)
	720p (60 / 59.94 / 50)
Radio Frequency	5150~5850MHz
TX supported	Vaxis Storm series TX
Image Transmission Delay	≤1ms
Power Consumption	≤9W
Power Input	7~18V
Environment	Temperature: 0° C ~+40° C
Dimensions	152*87.5*24 (mm)

Packing list

Standard Parts

- 1.058 Body 2.B-type to 2-pin LEMO
- 3.Antenna*6
- 4.Wood Handle
- 5.Straps
- 6.Lens hood

Selection parts

- 1.ARRI WCU-4 joint Bracket
- 2.MOVCAM MCS-1 joint Bracket
- 3.TILTA NUCLES-M joint Bracket