

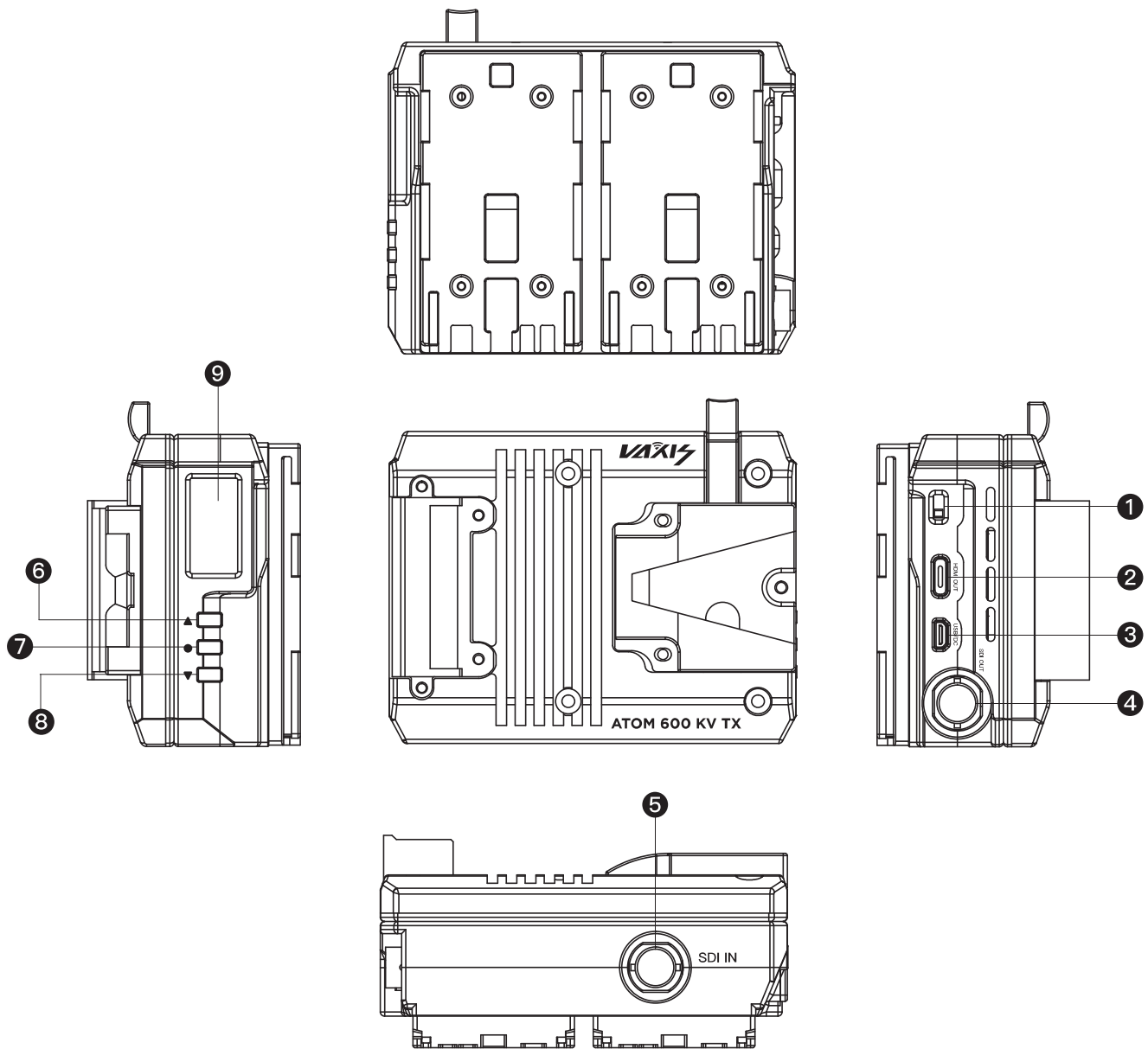
Vaxis - ATOM 600 KV (TX)

Wireless Video System

To Our Customers:

Thank you for your recent purchase of the Vaxis Atom 600 KV. We created this product with you in mind and hope you will find the Atom 600 KV useful.

Transmitter Interface



1 Power Switch

2 Micro-HDMI Out

3 USB Interface

4 SDI Out

5 SDI Input

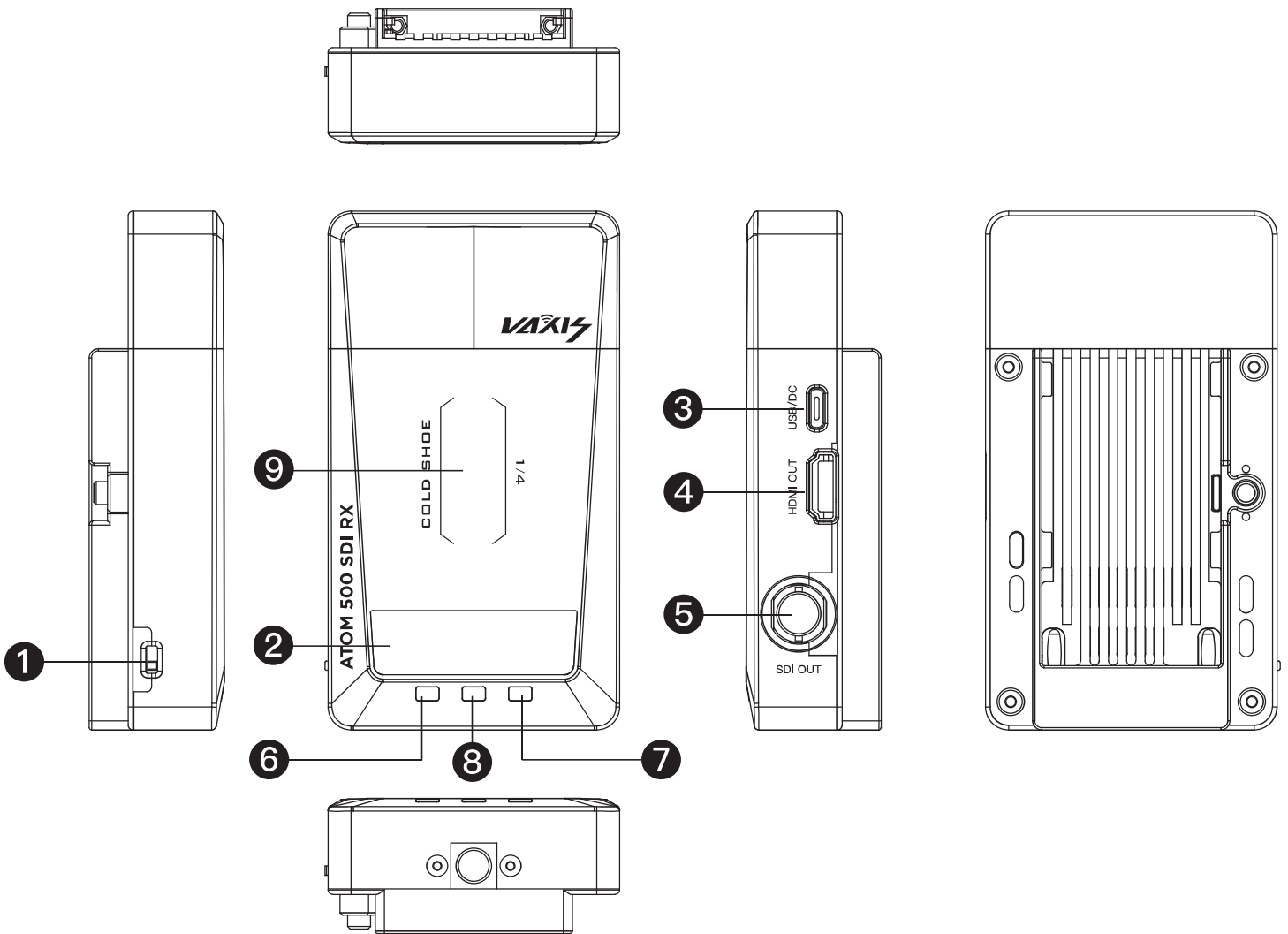
6 Up

7 Menu/OK

8 Down

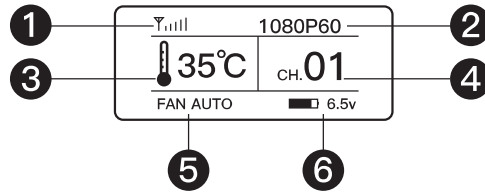
9 OLED Display

Receiver Interface



- 1 Power Switch
- 2 OLED Display
- 3 USB Interface
- 4 HDMI Output
- 5 SDI Output
- 6 Up
- 7 Down
- 8 Menu/OK
- 9 1/4 20 Screw Mount

OLED Display



- ① Signal Strength
- ② Video Format
- ③ Temperature
- ④ Channel
- ⑤ Fan Mode
- ⑥ Battery Voltage

Operations Guide

1. CHANNEL SWITCH

Press the left or right button to switch between channels, and press the middle button to confirm. The receiver will automatically adjust to the same channel as selected by the transmitter.

► ACCESSIBILITY
STEP
SCANNER
BACK

2. FAN MODE

Long press the left button for 3s to enter the fan mode menu. Options include FAN LOW, FAN HIGH, FAN AUTO, and FAN OFF.

3. APP MONITORING

Long press the right button for 3s, and the screen will show a QR code. Scan the code with our app: Vaxis Vision, and your mobile phone will be paired to the TX.

APP Download



Scan to download Vaxis Vision from App Store.

Specification

	600 KV TX	RX
Interface	SDI Input; SDI/HDMI Loop Out	HDMI Output/SDI Output
Voltage	6–18V	5V DC
Power	<6.5w	<6.5w
HDMI Input Video Format	720P@50/60Hz 1280*1024@60Hz 1080I@50/60Hz 1080P@24/25/30/50/60Hz	/
HDMI Output Video Format	/	720P@50/60Hz 1280*1024@60Hz 1080I@50/60Hz 1080P@24/25/30/50/60Hz
SDI Input Video Format	720P@50/60Hz 1080I@50/59.94/60Hz 1080P@23.98/24/25/29.97/30 50/59.94/60Hz 1080PSF23.98/24//25/29.97/30Hz	
SDI Output Video Format	720P@50/60Hz 1080I@50/59.94/60Hz 1080P@23.98/24/25/29.97/30 50/59.94/60Hz 1080PSF23.98/24/25/29.97/30Hz	720P@50/60Hz 1080I@50/59.94/60Hz 1080P@23.98/24/25/29.97 30/50/59.94/60Hz 1080PSF23.98/24/25/29.97/30Hz
Weight	400g	170g
Dimensions	96.5*74*50.4mm	113*63.5*20mm
Frequency	5GHz	
Transmission Power	17dbm	
Delay	80ms	
RX Sensitivity	–80dbm	